

## FLOOR LAYING INSTRUCTIONS

---

### ARBITON WOODRIC DRYBACK

#### **NOTICE!**

In order to eliminate colour discrepancies, during a given investment, it is recommended to use panels from a single production batch for installation. Before the installation, it is absolutely necessary to check the production batch, whose number can be found on each packaging.

#### **NOTICE!**

Before the installation, the panels must be carefully checked for material defects, especially decorative surface defects, colour or gloss discrepancies.

The variety and frequency of structures, wooden rings and knots, the presence of whitened wooden rings or cracks are elements of the design and do not constitute product defects. The installation of panels is regarded as the product acceptance and no damage and/or colour discrepancies as well as design varieties listed above can be the grounds for any subsequent claims regarding the product.

It is recommended that the panels be sorted according to the designs and shades before they are laid, and then the panels must be installed alternately in order to obtain the satisfactory uniform effect of variety in the room area. The panels should always be laid towards the main light source in order to obtain the best possible visual effect.

The open packaging must be used immediately (see-> PREPARATION, section No. 10)

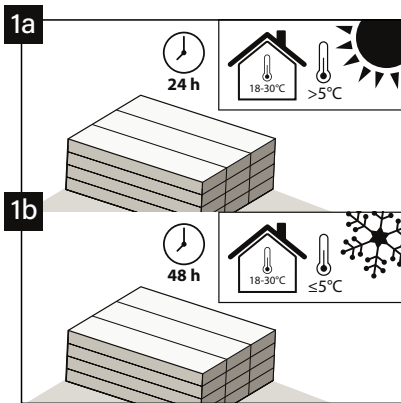


## WOODRIC

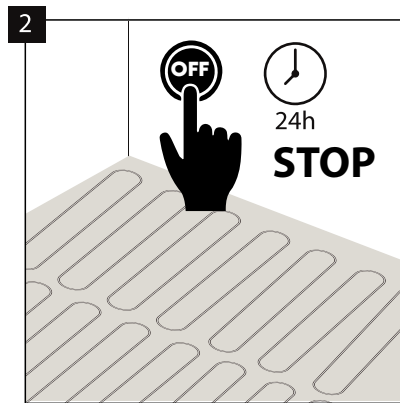
### MINERAL DRYBACK

#### PREPARATION:

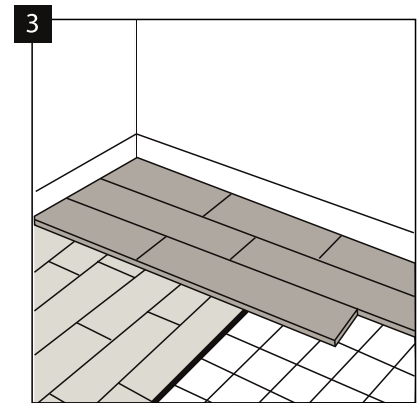
🌡️ 18-30°C 💧 40-65%



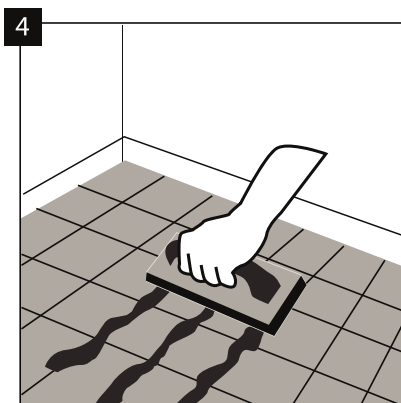
If the temperature is  $>5^{\circ}\text{C}$  during transport, the acclimatization time in a room with a temperature of  $18-30^{\circ}\text{C}$  should be min. 24 hours (in the premises where they will be installed). However, in case of temperature  $\leq 5^{\circ}\text{C}$  during transport, acclimatization time in a room with a temperature of  $18-30^{\circ}\text{C}$  should be min. 48 hours.



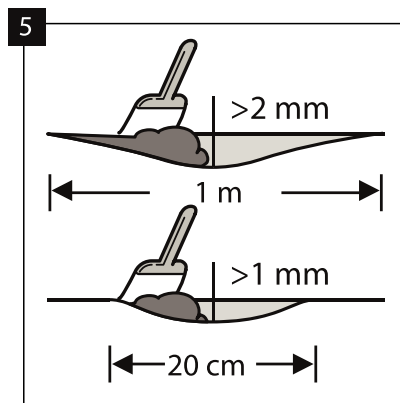
Before installation, turn off the underfloor heating for 24 hours.



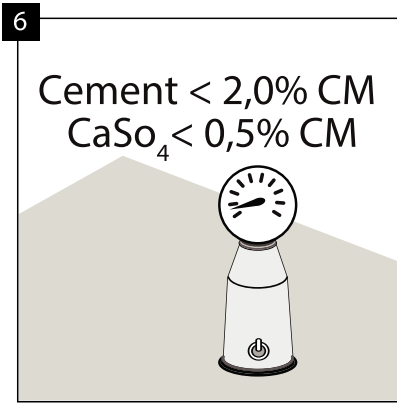
The type of substrate, its quality and preparation, especially any irregularities, have a decisive impact on the final effect. Panels are suitable for installation on cement and anhydrite floors, self-levelling grouts, on ceramic tiles.



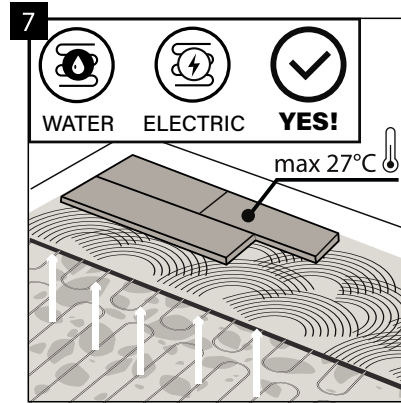
In the case of installation on the substrate covered with ceramic tiles, fill the tile grouts and primer the whole surface.



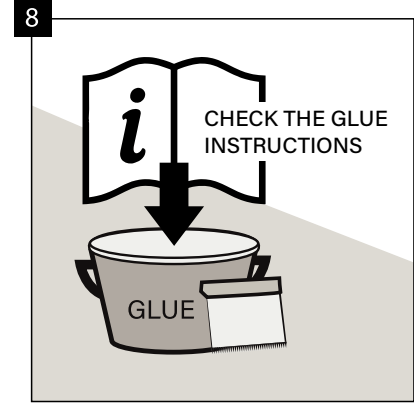
Make sure that the substrate is completely flat. All substrate irregularities exceeding 1 mm, with a length greater than 20 cm, or exceeding 2 mm with a length greater than 1 m must be levelled. Check if the use of the priming or sealing material is necessary. In order to prepare the substrate perfectly, spread the grout or the self-levelling compound on the entire surface.



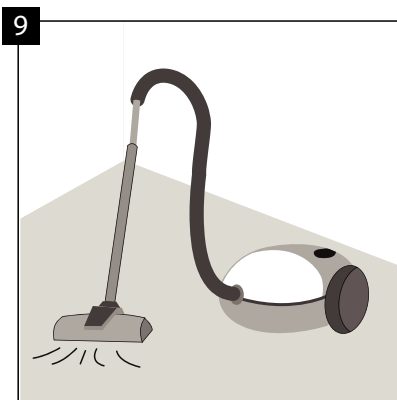
In the case of the cement grout, the moisture content in the substrate must be lower than 2.0%, and in the case of the anhydrite grout, it must be lower than 0.5%. In the case of installation with the underfloor heating, the above-mentioned values must be 1.8% and 0.3% respectively.



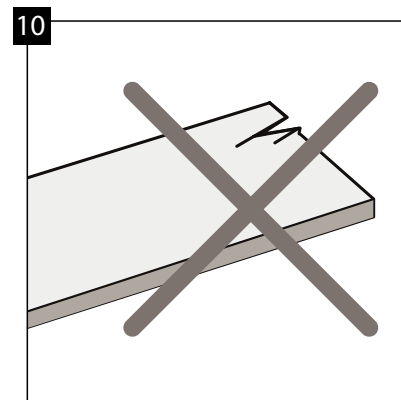
The floor panels may be applied on the substrate with underfloor heating, provided that the maximum temperature of the floor surface is maintained at the level of 27°C. The underfloor heating must be switched off one day before the installation, and after the panels are laid, wait for another day and gradually switch on the underfloor heating (5°C per day).



Before installation, read and comply with the installation manual of the adhesive manufacturer.



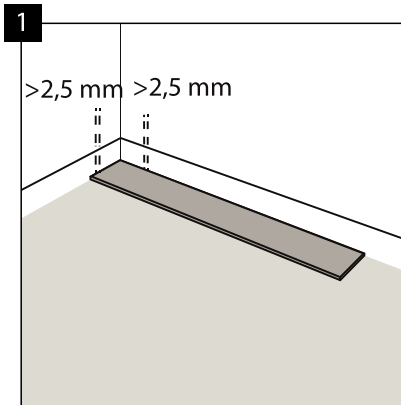
Make sure that the substrate is dry, flat, stable and free of any grease or chemical substances. The protruding irregularities must be scratched off and removed. Before the installation, the ground must be swept and vacuumed carefully so as to remove any contamination. It is necessary to repair any more serious imperfections of the substrate and large cracks.



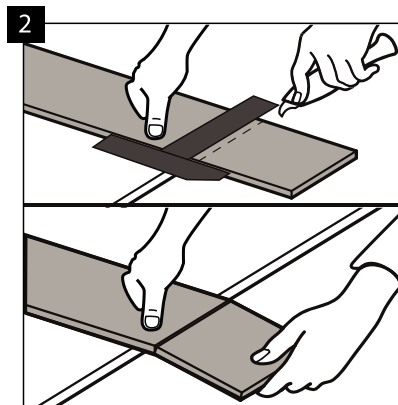
Before and during the installation, control all the panels in the optimal lighting conditions. Do not use defective panels.

## INSTALLATION:

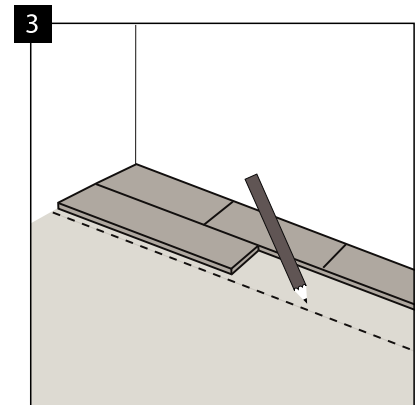
🌡️ 18-30°C 💧 40-65%; subfloor min. 15°C



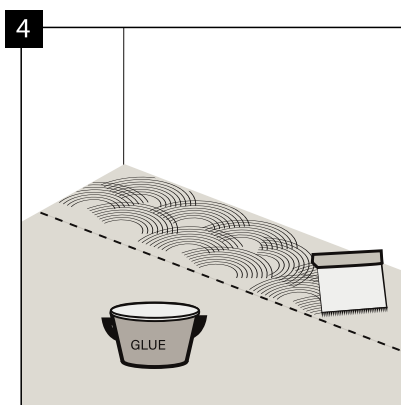
Leave 2.5 mm of perimeter space at the walls to allow the floor expansion. The maximum surface which can be laid without additional expansion joints is 200 m<sup>2</sup>. Above this surface, apply an additional expansion joint and enlarge all the expansion joints up to 5 mm. The maximum length of the floor surface in one direction, which can be laid without additional expansion joints is 20 m. Above this length, apply an additional expansion joint and enlarge all the expansion joints up to 5 mm.



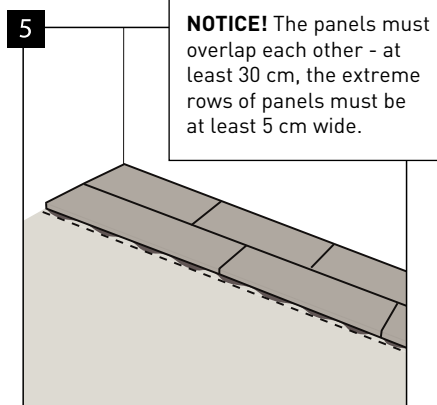
For additional cutting of floor panels, use a sharp knife, cut the top layer, then break the panel by leaning it on the edge.



Determine the reference line to cover a part of the substrate with an adhesive, so as to glue the panels. For best results, it is recommended to start the installation from the center of the room and install the floor in two directions.

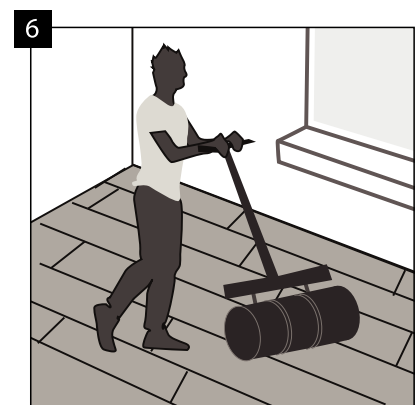


Use only one of the recommended adhesive for PVC or vinyl panels. Always follow the installation manual of the adhesive manufacturer. Each adhesive for such floors has a clearly indicated time for which it can be left without installing the panels. If the surface of the substrate is left covered with an adhesive for a longer period of time than that indicated by the manufacturer, it will cause its drying and the necessity to remove it. Depending on the absorptivity of the substrate, the adhesive must be applied with an A1 trowel (the thinner layer of the adhesive) or A2 trowel (the thicker layer of the adhesive - everything according to the gluing instructions). It is necessary to remember that the excess of the adhesive may flow out between the panel joints and be visible on the floor surface.



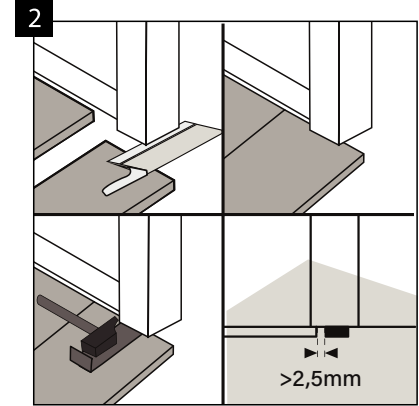
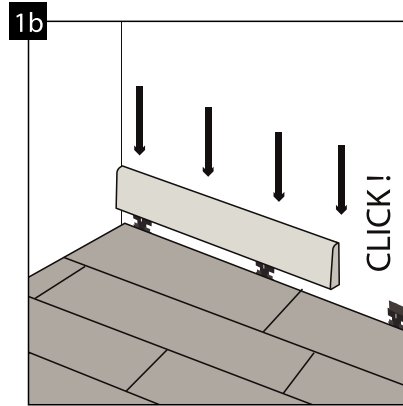
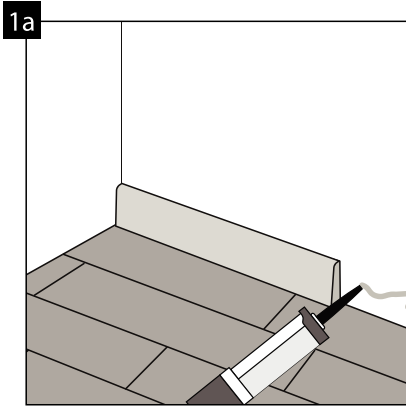
**NOTICE!** The panels must overlap each other - at least 30 cm, the extreme rows of panels must be at least 5 cm wide.

Glue the panels to the substrate by laying them tightly to one another, without leaving any gaps. The laying of the first line of panels perfectly straight will affect the good visual effect of the whole room.



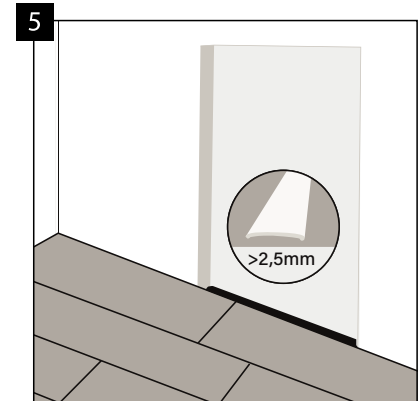
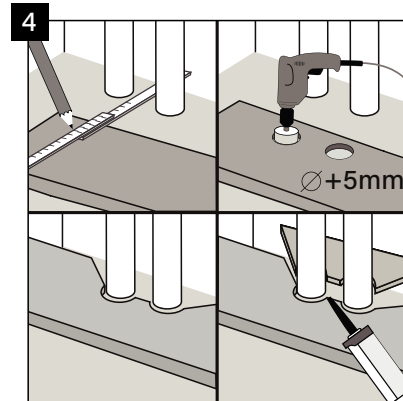
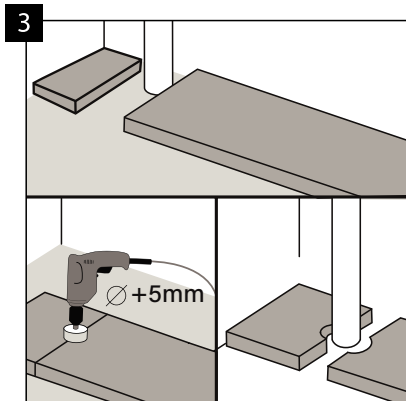
Not later than 60 minutes after gluing the panels, use a 50 kg roller in order to press the glued panels to the substrate accurately and evenly.

## FLOOR FINISH:



Expansion joints along the walls must be covered with a decorative strip, assembling it by means of glue or special clips. It is recommended to use the Arbiton strips dedicated to a given panel, which guarantee the excellent colour match and the coat resistant to scratching.

At the doors, it is recommended to undercut the profiles of door frames and leave free space over the installed panel so as not to limit its possible movement.



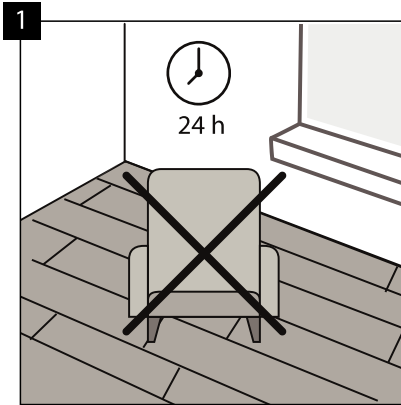
In the case of vertical pipes embedded in the substrate, leave free space around the pipes. Holes for the pipes must be drilled with a drill bit with a diameter that is bigger than the pipe diameter by 5 mm.

Act similarly in the case of a bigger number heating system pipes. The cut panel elements must be joined with the assembly adhesive for plastic elements.

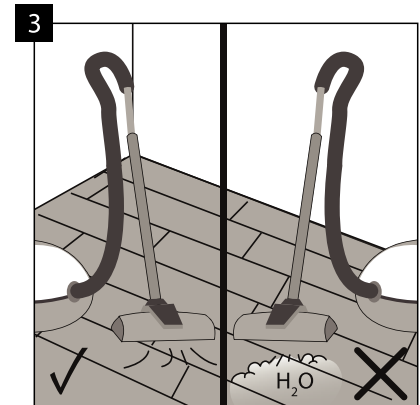
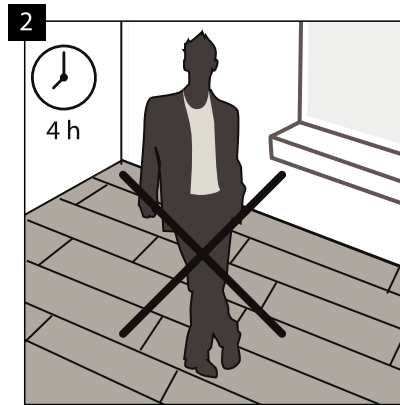
The application of the 2,5 mm expansion joint in the door opening between the rooms, which allows for the elimination of stresses, is recommended in the following cases: the irregular shape of the floor surface in the neighbouring rooms or the application of the underfloor heating only in one of the joined rooms or if there is underfloor heating in both rooms but with separate temperature control. In the case of an area bigger than 200 m<sup>2</sup> or longer than 20 m, the expansion joint must be enlarged to 5 mm.

## USE AND MAINTENANCE:

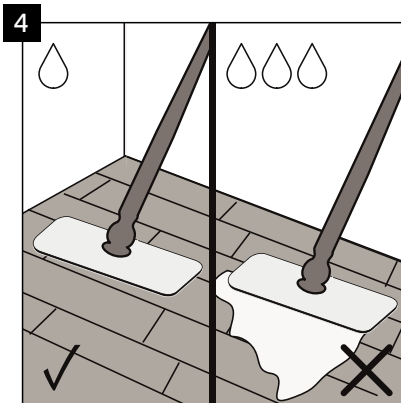
🌡️ 18-30°C 💧 40-65%



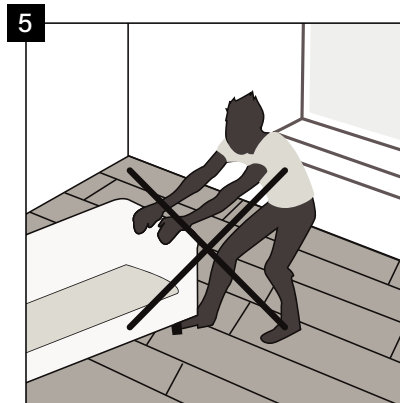
In the case of installation of panels with glue, heavy objects must not be placed before 24 hours, while gentle walking on the floor is possible after 4 hours of installation.



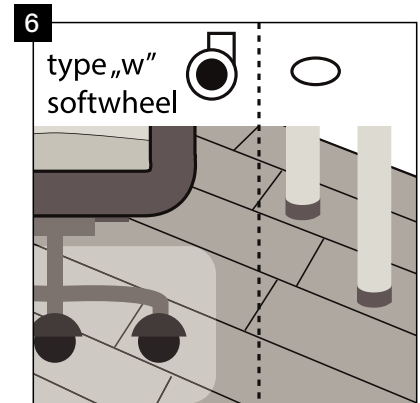
The Arbiton floor may be cleaned with a vacuum cleaner, however, it is prohibited to use steam cleaning devices.



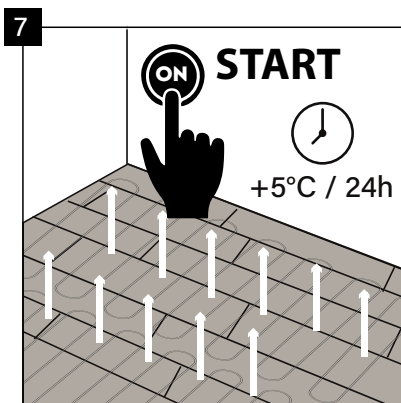
The Arbiton floor can be cleaned with a damp or wet mop.



The movement of heavy objects along the floor is not allowed. They must be moved only after they are lifted.



Used office chairs with W-type castors, protecting the floor additionally by means of the protective net. The furniture legs must be provided with protective pads which provide protection against scratching, e.g. made of felt.



After laying the floor and waiting 24 hours, you can turn on the underfloor heating, remembering to gradually increase the temperature (5°C per day).

**ATTENTION!** It should be remembered that the maximum temperature of the floor surface is 27°C.